



Marine Split air-conditioner

- Very low space required, service only by front panel
- Scroll compressor for high efficiency
- Fresh air inlet
- Compressor-condensator control panel and filter drier on same frame
- Sea water cleanable condenser or air cooled fin condenser
- Controlled by electronic room thermostat for better comfort



Description

The split unit is designed primarily for air conditioning of rooms with different temperature regimes of the common areas of the ship like bridge, control room, main switchboard or galley. Air-conditioner can be with water cooling or with air-cooling. It is split on compressor-condenser unit and air cooler (evaporator) linked by refrigerants pipe and control cables. High performance scroll compressor is mounted on shell in tube condenser for sea water cooling or mounted on same base frame with air-cooled condenser with copper pipe and aluminium or copper fins. Air-cooler can be supplied in addition with fresh air to keep friendly climate on conditioning places.



Customer satisfaction:
To provide our customer with the ultimate solution for its needs is our key to success. We set our main focus on helping our customer for its benefits.



Innovation and flexibility:
Our target is to provide our customers with the cutting-edge of today's newest technologies and solutions, using our competence for customers' prosperity.

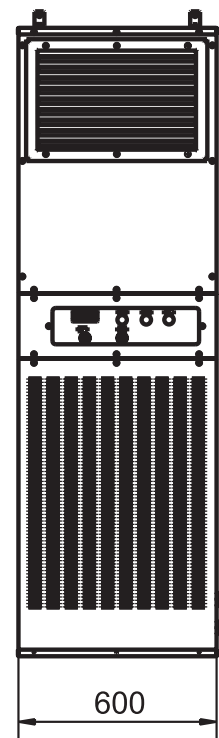
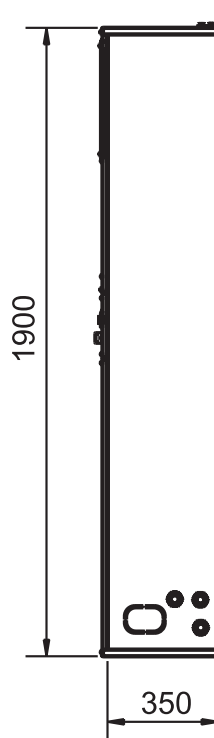
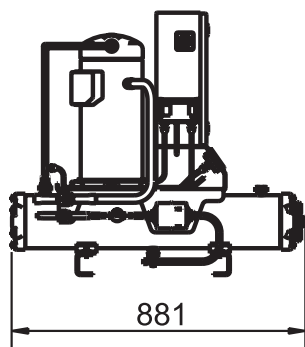
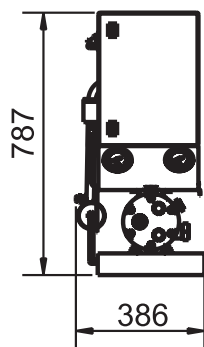


Sustainability:
Adopting the thinking, that taking care of our environment is any men's responsibility we promote energy efficient and environmental friendly products and solutions to our customer.

Specification

- Compressor-condenser unit

- Indoor cooler



model	MSU-S8P	MSU-S11P	MSU-S14P	MSU-S17P	MSU-S22P	MSU-S28P	MSU-S32P
Cooling capacity (kW)	7.93	11.3	14.2	17.8	21.5	27.6	32.5
Heating capacity (kW)*	5	7	9	12	14	18	21
Air-flow (m3/h)	1050	1800	2000	2200	3300	3850	4300
Compressors	1	1	1	1	2	2	2

*heating is optional with electrical heaters

See more details on our web site:

