



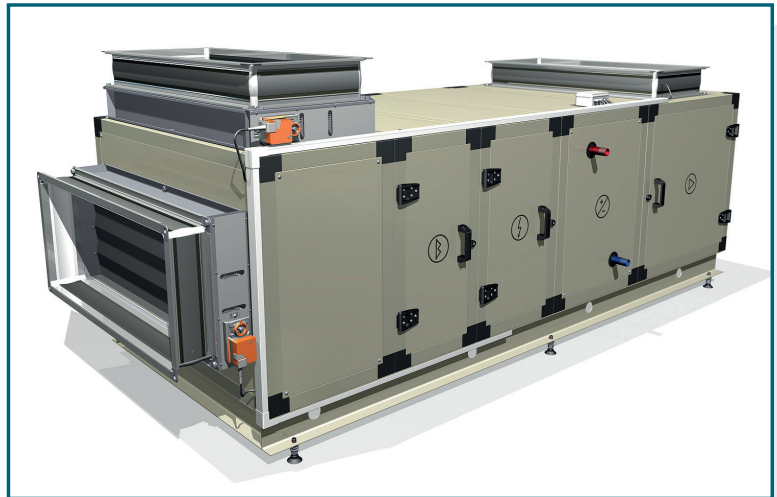
## Marine Air handling units

### Description

The need for forced feeding of fresh air handling units are necessarily equipment for each vessel.

The high demands we set for ourselves in developing our products classify them as highly reliable in difficult working conditions on board.

Our AHU's are produced depending of customer design and can include: el. heaters, hot water coils, steam coils, cold water coils, direct expansion coils, humidification units, filters, air-distribution unit for supply with fresh air or recirculation



### Specification

#### Casing:

As standard aluminous frame and panels from alu/zinc sheets on both side and mineral wool. Unit is mounted on welded base frame of steel beams. All parts of casing are coated. Casing from stainless steel can be offered for high corrosion resistance.

#### Filtration

G4 class of filtration is standard for our AHU's. In special cases we can adding filters class from G1 to G4 and F1 to F9.

#### Cooling and Heating

Temperature changing of supplied air can be from steam coils, el. heaters, hot water coils, cold water coils, direct expansion coils. Cooper-alluminium or cooper-cooper are materials for coils. Using of recuperation increase efficiency of unit and decrease operational cost.

#### Air distribution

AHU's can supply 100% fresh air or mixed. Recirculation is controlled by dampers with hand or automatic control.



**Customer satisfaction:**  
To provide our customer with the ultimate solution for its needs is our key to success. We set our main focus on helping our customer for its benefits.



**Innovation and flexibility:**  
Our target is to provide our customers with the cutting-edge of today's newest technologies and solutions, using our competence for customers' prosperity.



**Sustainability:**  
Adopting the thinking, that taking care of our environment is any men's responsibility we promote energy efficient and environmental friendly products and solutions to our customer.

## Marine Cabin units

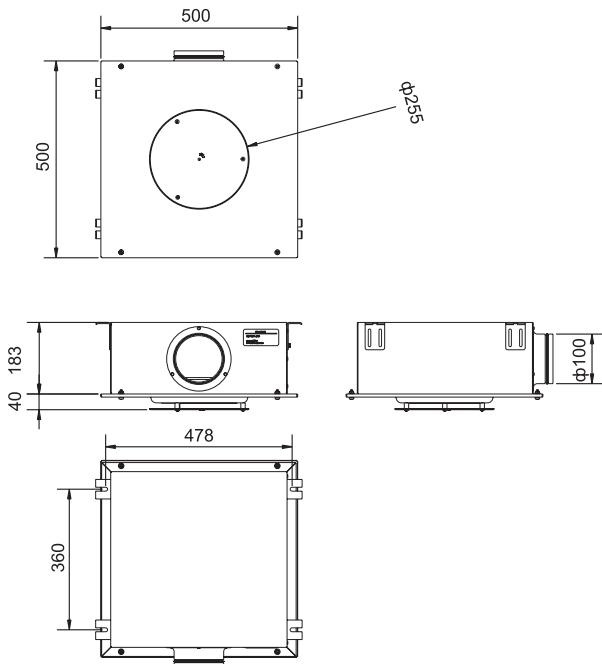
- Excellent sound attenuation
- Air-flow controll included
- Electrical re-heating as option
- For single and twin pipe systems
- Controled by room thermostat
- Modbus or LON compatibility



## Description

The Cabin Units is the termal device of the air-conditioning systems. which are applicable for the lodging cabins, dayrooms, wheelhouse, conference rooms etc. Their task is to control the flow of air, its distribution and temperature. A range containing units for wall mounting or ceiling suspension, units for 1 pipe, 2 pipe, 1 pipe with reheat and a wide selection of air terminal units for low pressure systems

## Specification



Air flow	0- 300 m <sup>3</sup> /h
Power Sply	230 VAC
Electricheater (re-heat models only)	800,1400 Watt
Weight	12 kg
Material	Al-Zincsteel

See more details  
on our web site:

