

### CU single-duct cabin unit

The CU single-duct cabin units are used for manual control of the air flow of the air supplied to the cabins and similar areas on board ships. The cabin units are installed in the space above the ceiling with a square diffuser below the ceiling.

- \* Air flow: CU250-0..250m<sup>3</sup>/h CU350-0..350m<sup>3</sup>/h CU450-0..450m<sup>3</sup>/h
- \* Sound reduction
- \* Easy installation
- \* Air capacity regulating device

Part	Material	Finishing
Casing	Galvanized steel or aluminium	
Insulation	Mineral wool, 160kg/m <sup>2</sup> , thickness 20mm	
Diffuser (upper part)	Galvanized steel, aluminium or stainless steel	
Diffuser (lower part)	Galvanized steel, aluminium or stainless steel	Painted (Ral 9002)

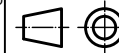
Type	A	B	C	D	E	F	F1	G	G1	H	I	Mass allu. [kg]	Mass galv. [kg]
CU-250-100	50	163	208	140	98.5	388	407	458	340	585	158	3.7	10.6
CU-350-125	50	203	248	165	123.5	528	547	600	482	728	200	5.6	14.5
CU-450-160	50	253	298	200	158	448	467	600	482	728	215	5.6	15.3

#### Sound reduction in dB[A] at:

Octave band	CU-250-100	CU-350-125	HCM-450-160
63Hz	26	28	27
125Hz	23	22	19
250Hz	24	20	22
500Hz	35	24	28
1000Hz	34	19	28
2000Hz	35	30	25
4000Hz	40	30	24
8000Hz	38	25	20



Apolon Climate Engineering LTD  
Bulgaria, Varna 9010  
www.apolon.bg  
e-mail: office@apolon.bg  
tel.: 00359 52 302 150

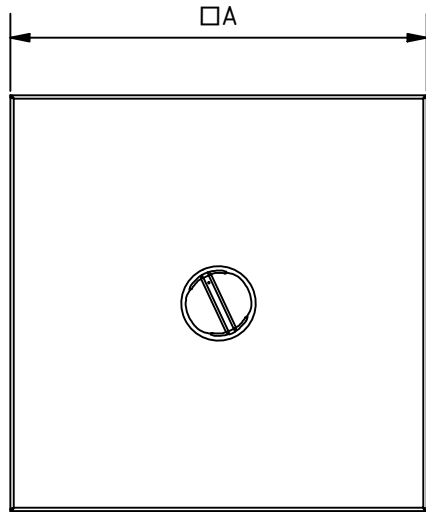


Project: .ipj

C:\0BEKTI\INVENTOR\063\_Kymur\063\_Assembly\CU-450.iam

Material	Name	Sign/Stamp
Thickness	Drawn	Alexander Apolonov
Weight[kg]	Checked	
Inside treatment	Approved	
Outside treatment	5/19/2014	
Area	N/A	Unless otherwise specified: Dimension are in millimeters[mm] Surface finish:
Volume	N/A	
	Tolerances:	
	Linear:	
	Angular:	

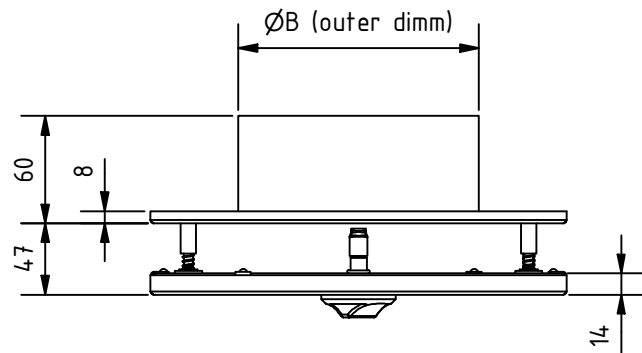
CU single duct cabin unit	
CU-250/350/450	1
	A4



CUD diffusers

The CUD diffusers are outlet diffusers with an option to control the air flow of the cabin unit. The diffusers are made of aluminum or galvanized or stainless steel with RAL9002 coating (other colors available on request).

CUD	A	B	Alu [kg]	Galv [kg]	SS316 [kg]
250	275	159	1.5	2.5	2.5
350	353	199	2	4	4
450	353	249	2	4	4



		Apolon Climate Engineering LTD Bulgaria, Varna 9010 www.apolon.bg e-mail: office@apolon.bg tel.: 00359 52 302 150				Project: .ipj	
						C:\OBEKTI\INVENTOR\098_CU-250\098_Assembly\diffuzer.iam	
Material		Name	Sign/Stamp	CU diffusers  CUD 250/350/450			
Thickness		Drawn	Alexander Apolonov				
Weight[kg]	N/A	Checked					
Inside treatment		Approved					
Outside treatment		5/19/2014					
Area	N/A	Unless otherwise specified: Dimmension are in millimeters[mm] Surface finish:		<b>2</b> A4			
Volume	N/A						
		Tolerances: Linear: Angular:					