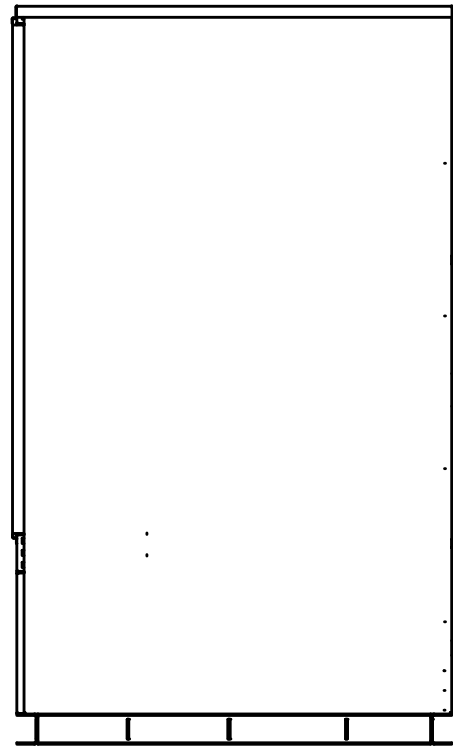
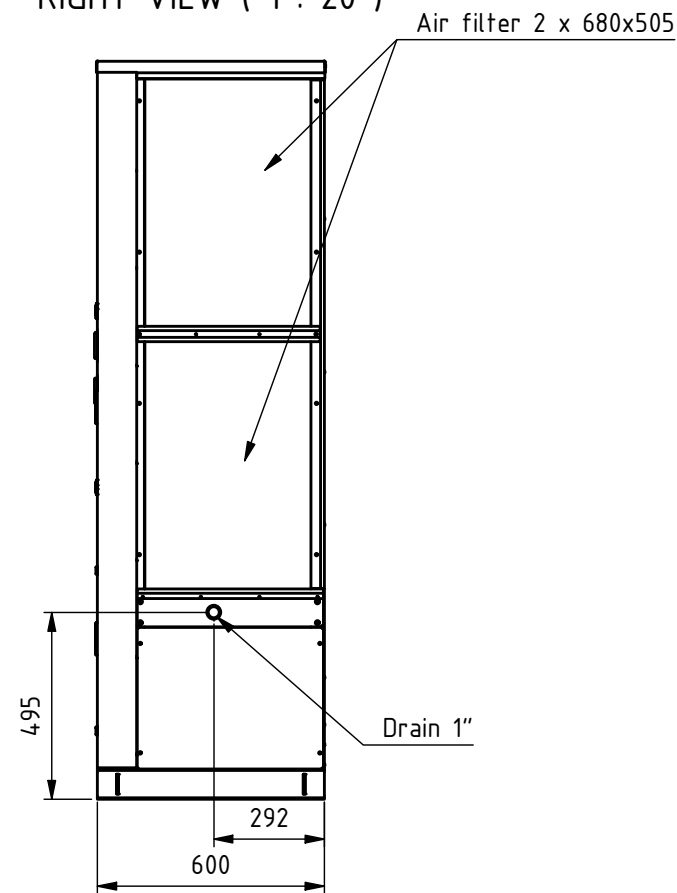


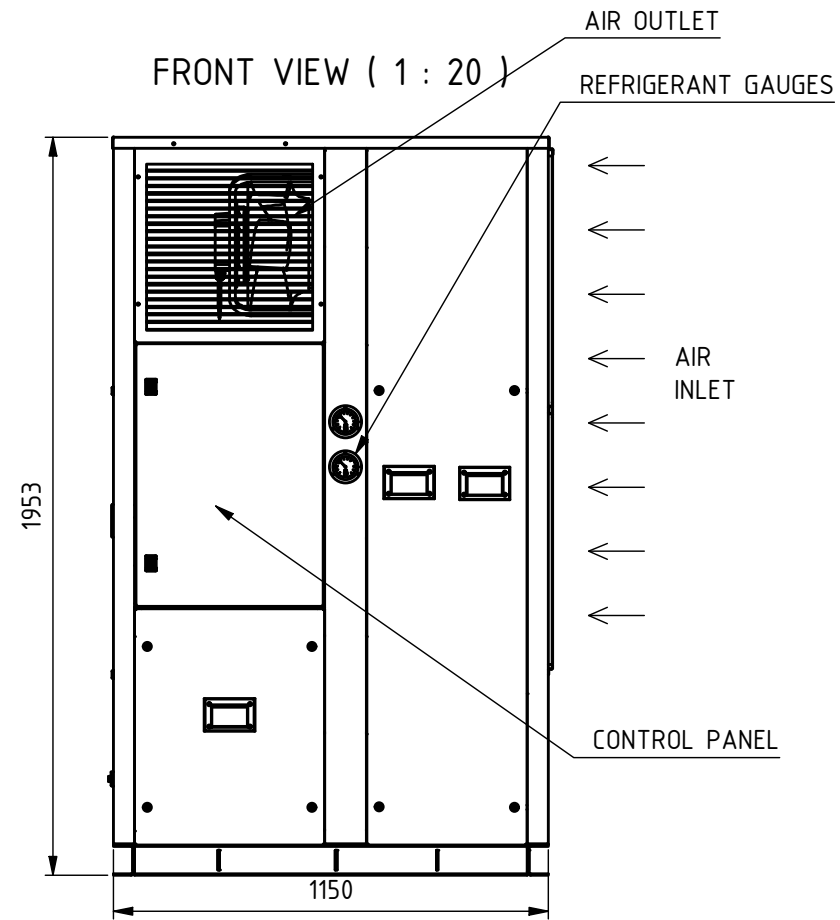
BACK VIEW (1 : 20)



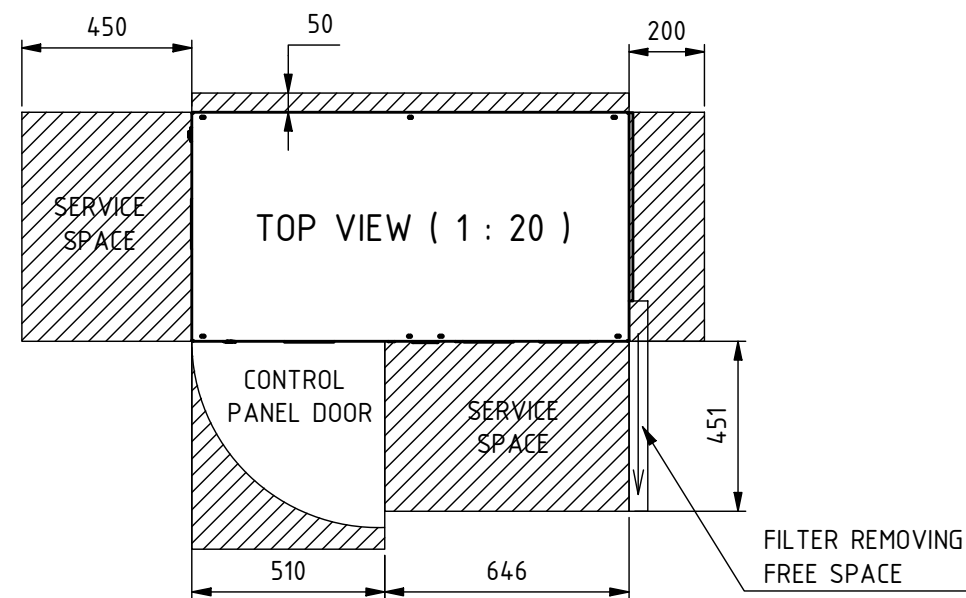
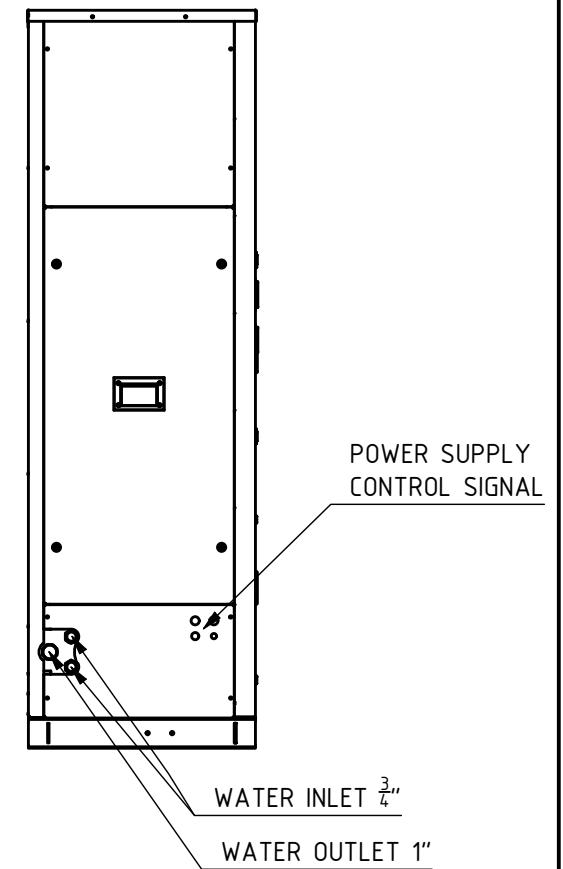
RIGHT VIEW (1 : 20)



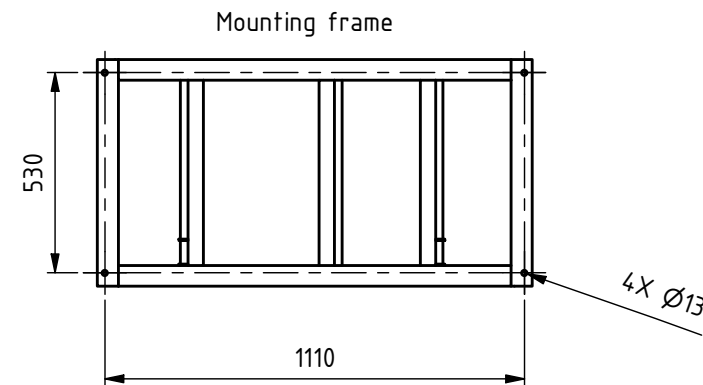
FRONT VIEW (1 : 20)



LEFT VIEW (1 : 20)

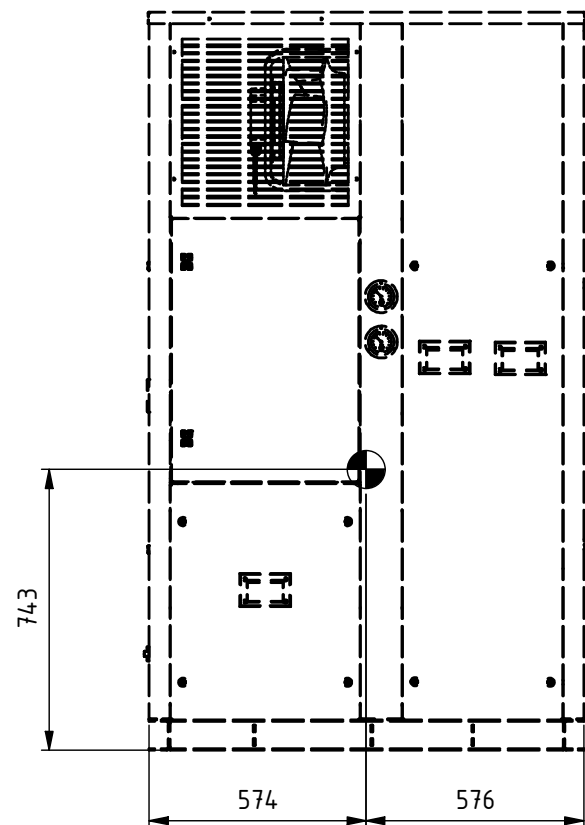


BOTTOM VIEW (1 : 20)

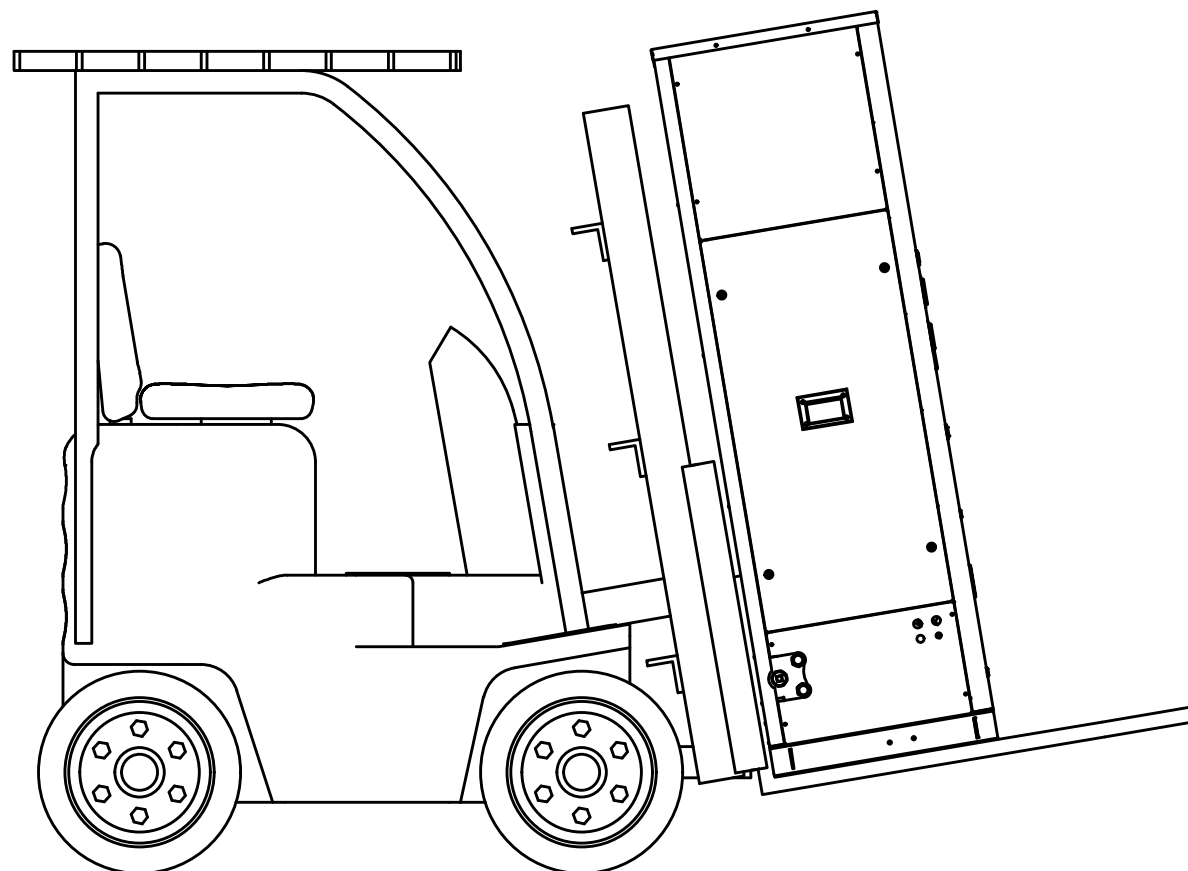
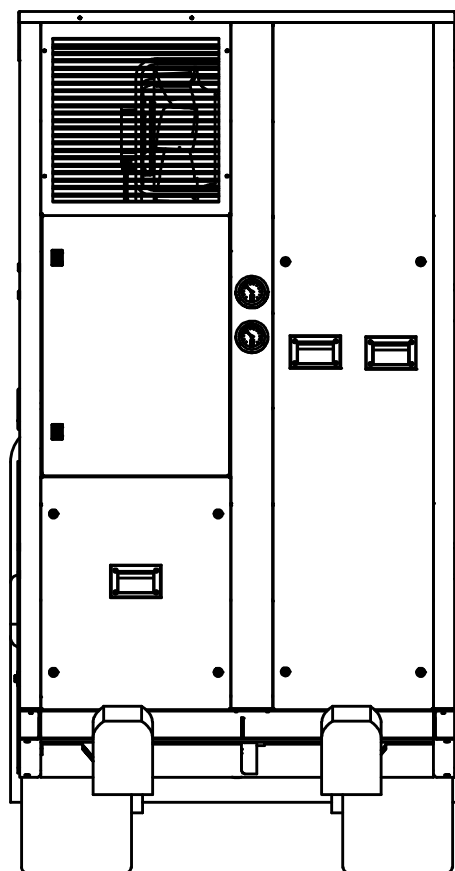
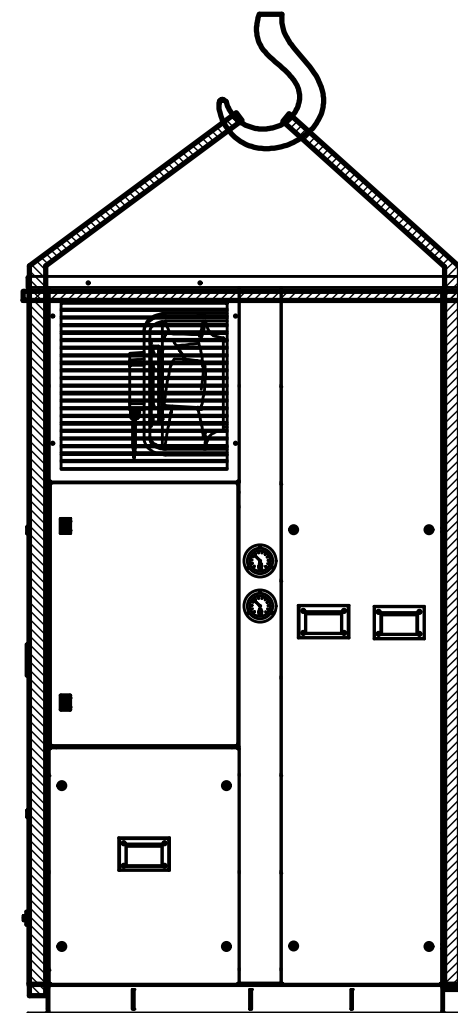
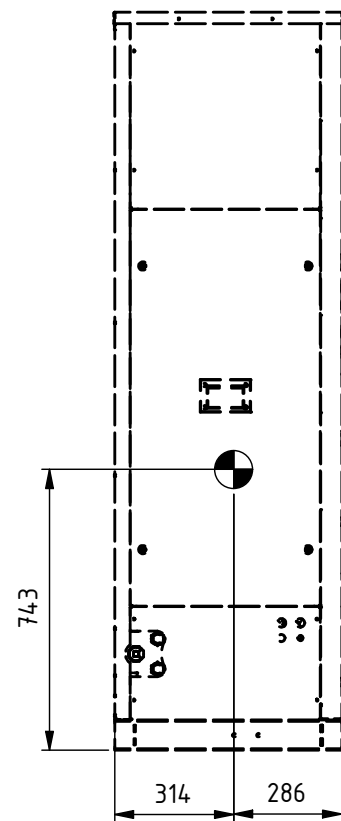



| Apolon Climate Engineering LTD Bulgaria, Varna 9010 www.apolon.bg e-mail: office@apolon.bg tel.: 00359 52 902 150 | | Project: .ipj C:\0BEKTI\INVENTOR\0102_MAC-C70 custom\0102_CAD\MAC-C70_custom.idw | | | | | | | | | | | |
|---|--------------------|---|------------|-------|--------------------|---------|--|----------|--|-----------|--|------------------------------|--|
| <table border="1"> <thead> <tr> <th>Name</th> <th>Sign/Stamp</th> </tr> </thead> <tbody> <tr> <td>Drawn</td> <td>Alexander Apolonov</td> </tr> <tr> <td>Checked</td> <td></td> </tr> <tr> <td>Approved</td> <td></td> </tr> <tr> <td colspan="2">2/23/2017</td> </tr> </tbody> </table> | | Name | Sign/Stamp | Drawn | Alexander Apolonov | Checked | | Approved | | 2/23/2017 | | MAC-C70 General dimension | |
| Name | Sign/Stamp | | | | | | | | | | | | |
| Drawn | Alexander Apolonov | | | | | | | | | | | | |
| Checked | | | | | | | | | | | | | |
| Approved | | | | | | | | | | | | | |
| 2/23/2017 | | | | | | | | | | | | | |
| MAC-C70 | | 1 A3 | | | | | | | | | | | |
| Unless otherwise specified dimension are in millimeters(mm) | | Weight[kg]: N/A | | | | | | | | | | | |

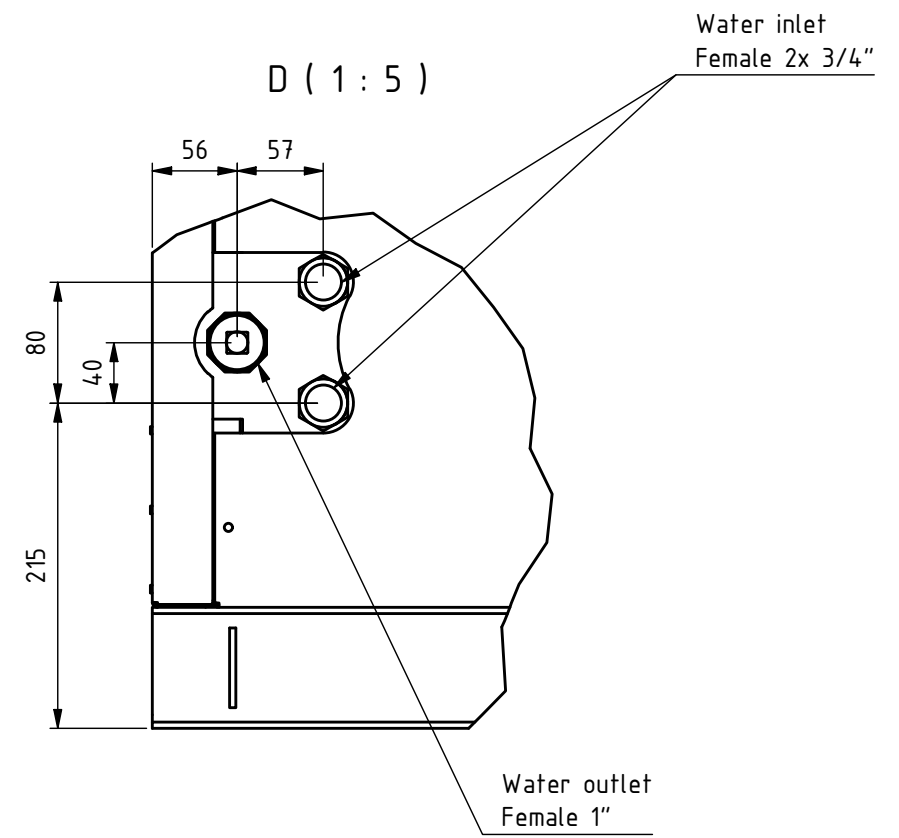
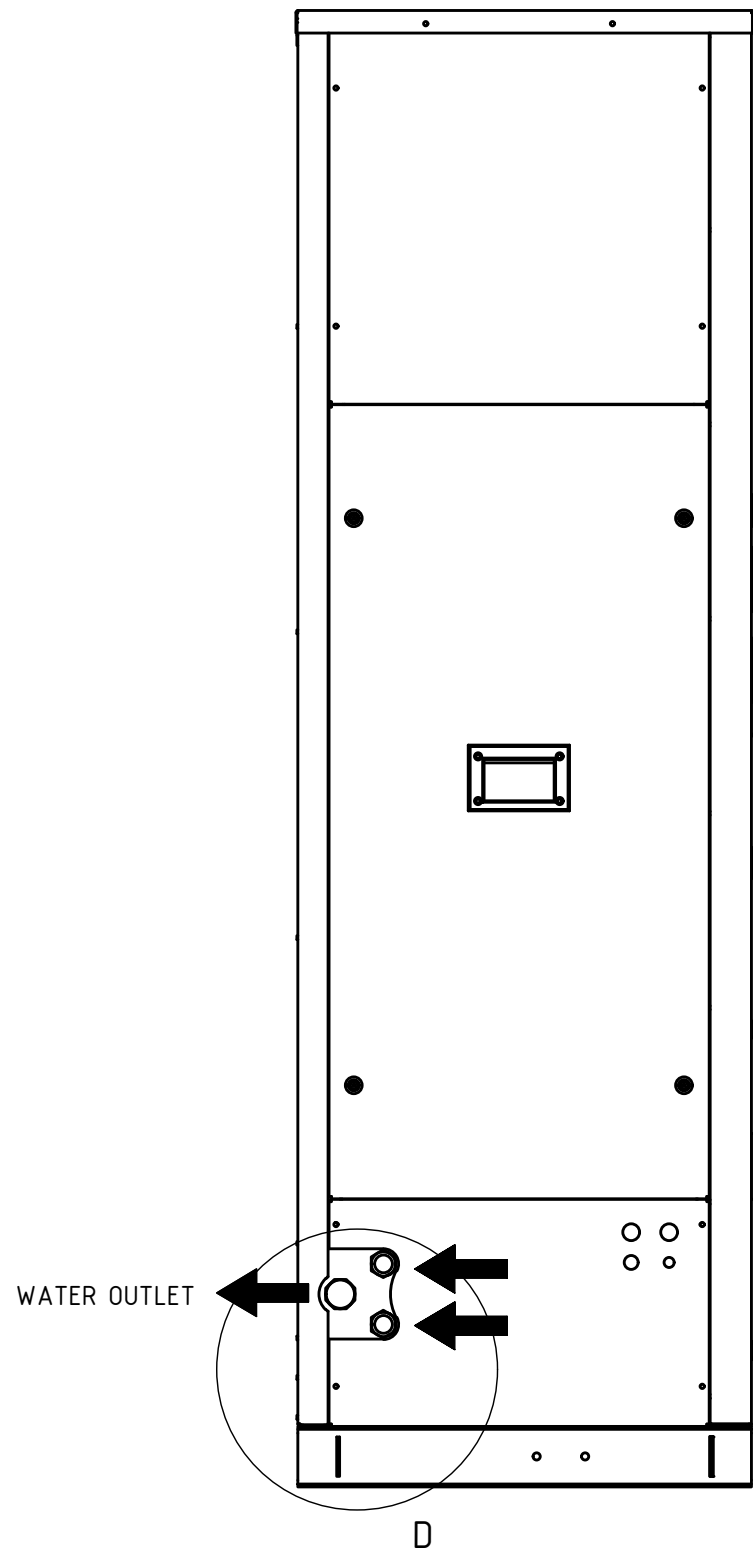
Center of gravity (1 : 20)


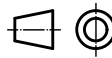


Center of gravity (1 : 20)



| | | | |
|---|--|-----------------|---------|
|  Apolon Climate Engineering LTD Bulgaria, Varna 9010 www.apolon.bg e-mail: office@apolon.bg tel.: 00359 52 902 150 | | Project: .ipj | |
| Name Alexander Apolonov | | Sign/Stamp | |
| Drawn | | MAC-C70 | |
| Checked | | Lifting | |
| Approved | | 2/23/2017 | |
| 2/23/2017 | | MAC-C70 | |
| Unless otherwise specified dimension are in millimeters(mm) | | Weight[kg]: N/A | |
| | | | 2 A3 |



| | | | | |
|---|--------------------|---|-----------------------------|----|
|  Apolon Climate Engineering LTD Bulgaria, Varna 9010 www.apolon.bg e-mail: office@apolon.bg tel.: 00359 52 902 150 | | Project: .ipj | | |
| | | C:\0BEKTI\INVENTOR\0102_MAC-C70 custom\0102_CAD\MAC-C70_custom.dwg | | |
| | Name | Sign/Stamp | MAC-C70 Water connection | |
| Drawn | Alexander Apolonov | | | |
| Checked | | | | |
| Approved | | | | |
| | 2/23/2017 | | | |
| | |  | MAC-C70 | 3 |
| | | | | A3 |
| Unless otherwise specified dimension are in millimeters(mm) | | Weight[kg]: | N/A | |