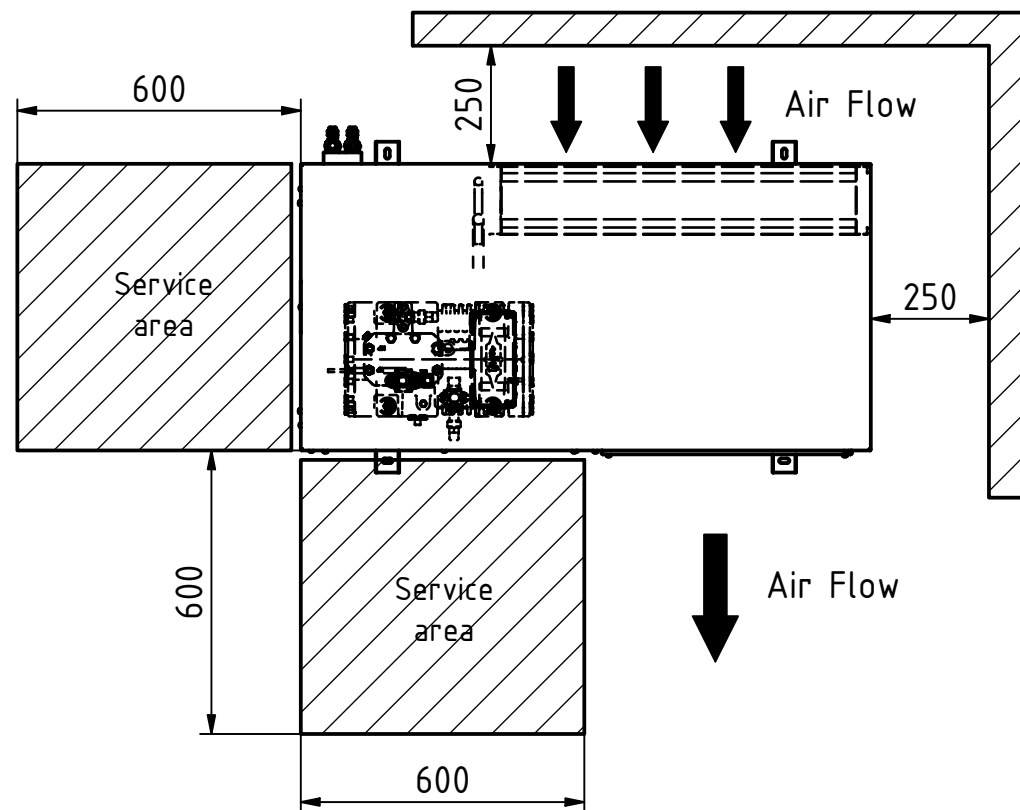
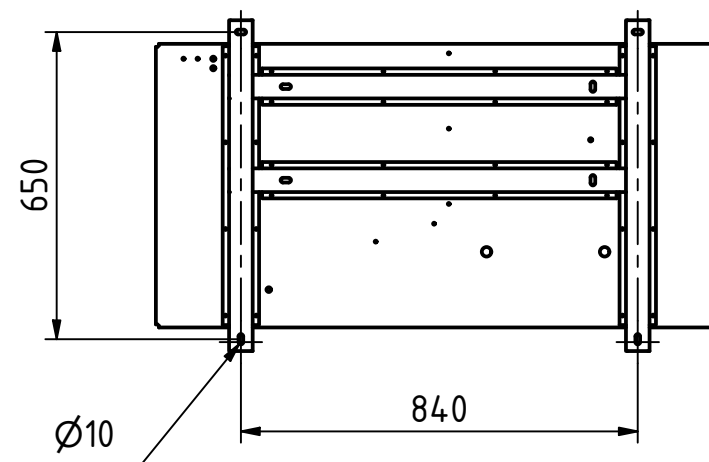


B (1 : 16)
Service area



A (1 : 16)
Base frame mounting holes



Apolon Climate Engineering LTD Bulgaria, Varna 9010 www.apolon.bg e-mail: office@apolon.bg tel.: 00359 52 902 150		Project: .ipj	
Name		Sign/Stamp	
Drawn	Valentina Vasileva		
Checked			
Approved			
1.12.2019 г.			
		ACUS 7kW	
Weight[kg]:		A3	

Unless otherwise specified dimension are in millimeters(mm)