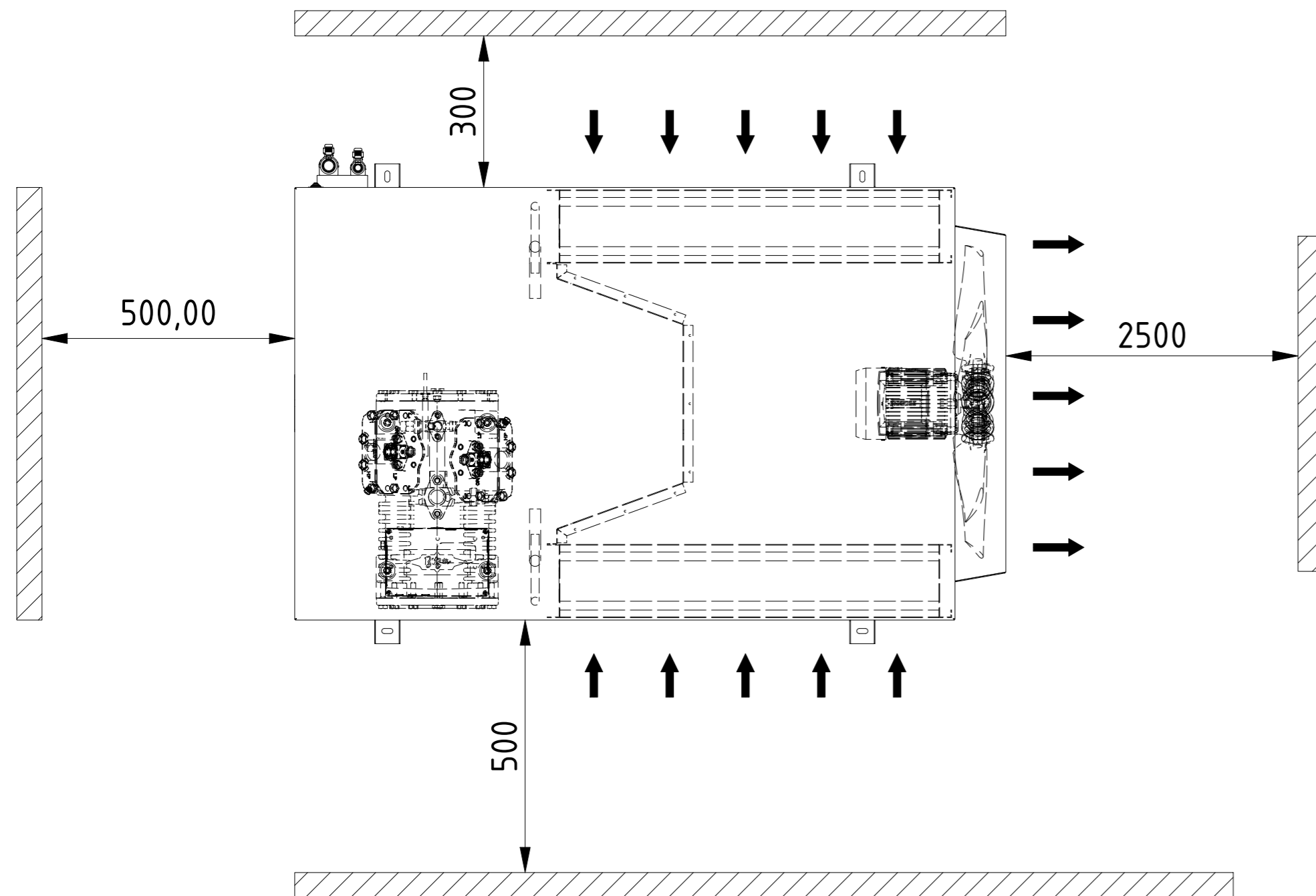
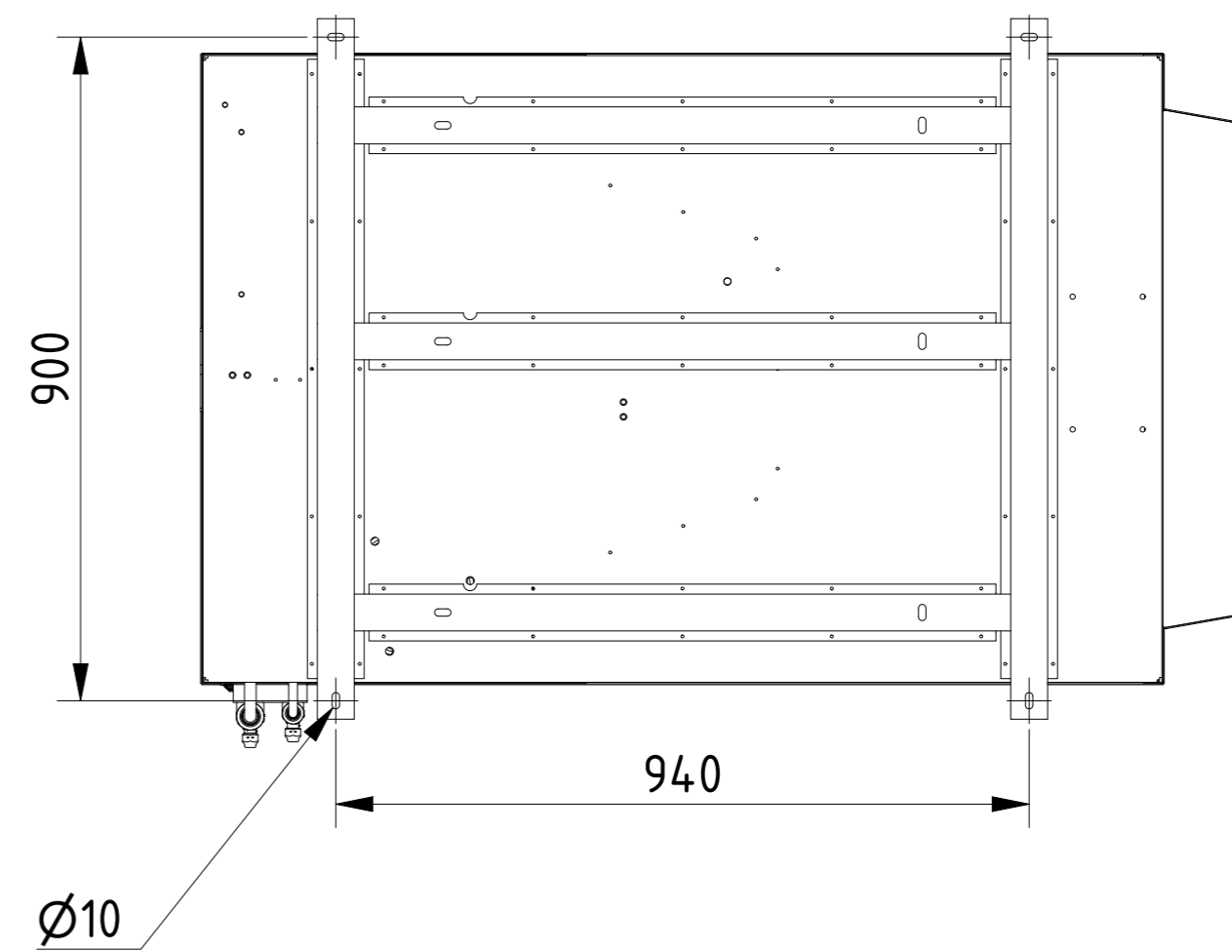


A ( 1 : 10 )  
Service area



B ( 1 : 10 )  
Base frame mounting holes



Apolon Climate Engineering LTD Bulgaria, Varna 90110 www.apolon.bg e-mail: office@apolon.bg tel.: 00359 52 302 150		Project: .ipj G:\04Drive - Apolon Climate Engineering LTD\06EXH\INVENTOR\017_Delphi_1501\CCU 18W - ACB\CCU18W - ACB1.ipt	
Drawn	PC	Name	Sign/Stamp
Checked			
Approved			
27.4.2020 r.			
		ACUS-15 free space	<b>1</b> A2
<small>Unless otherwise specified dimensions are in millimeters[mm]</small>		Weight[kg]:	N/A