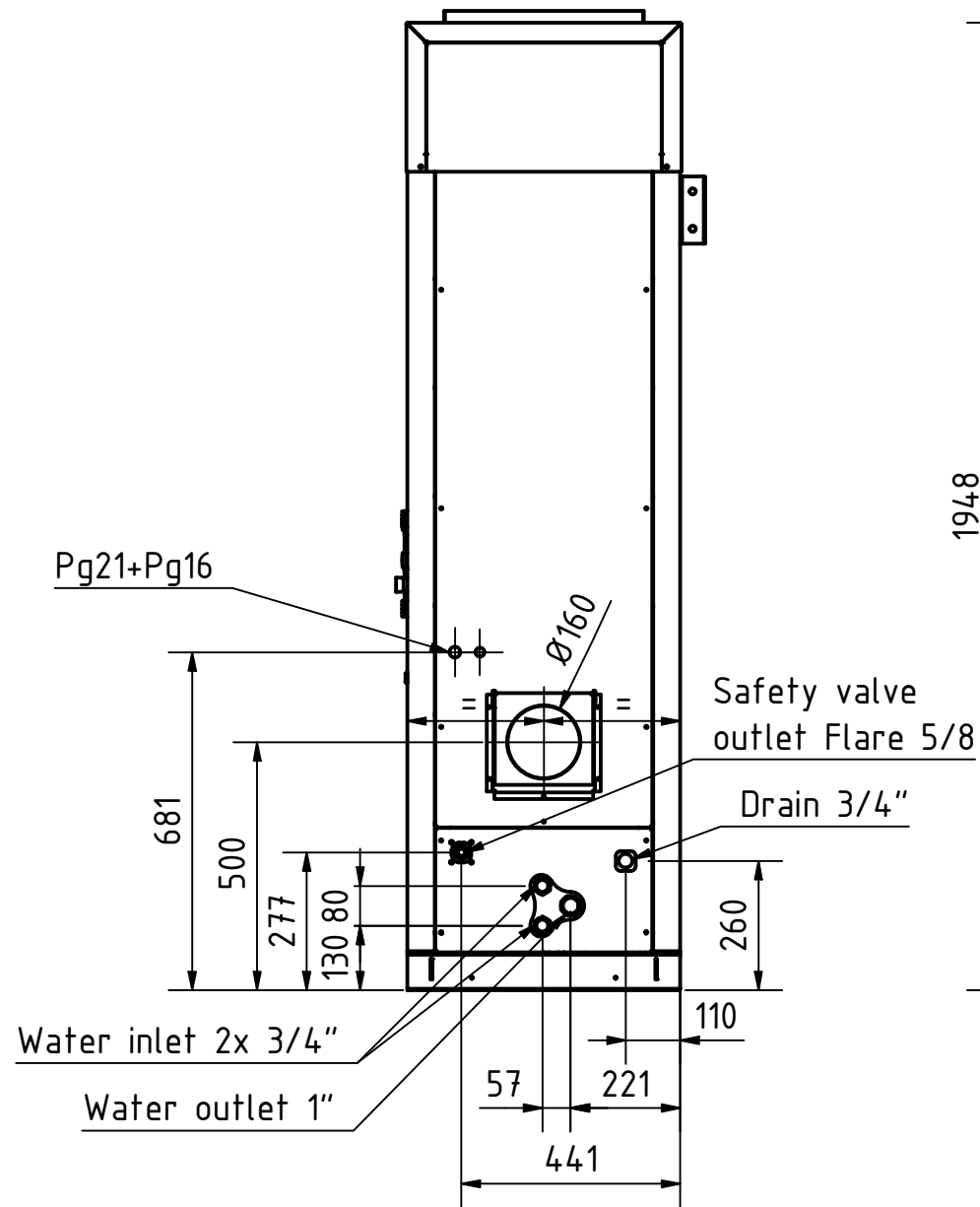
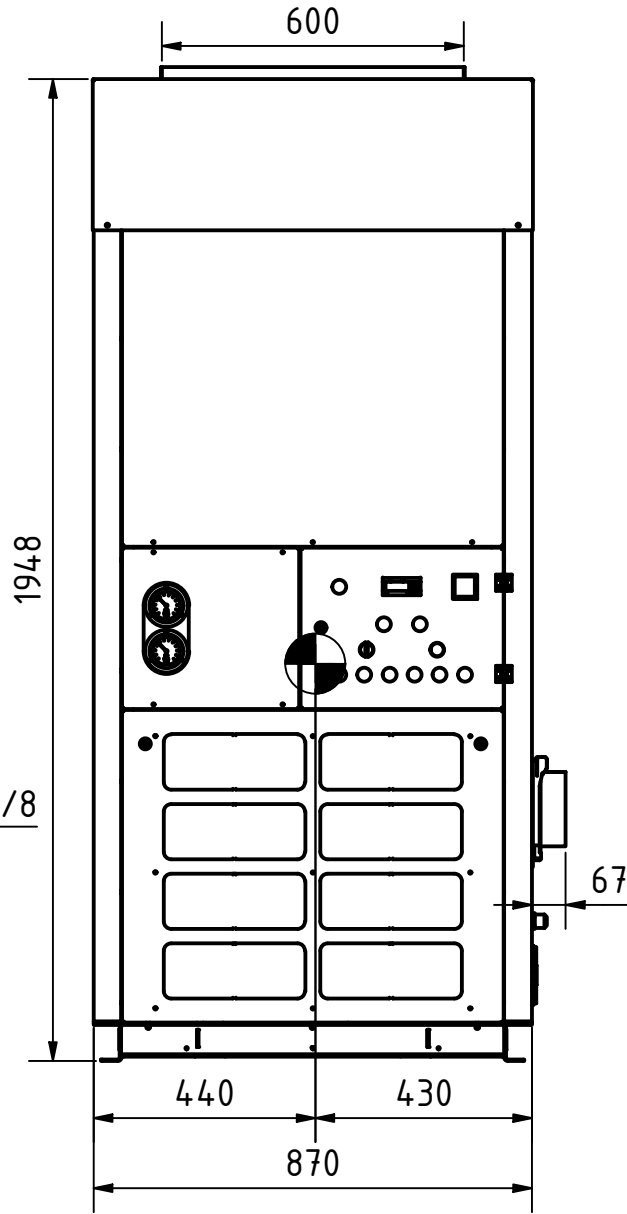


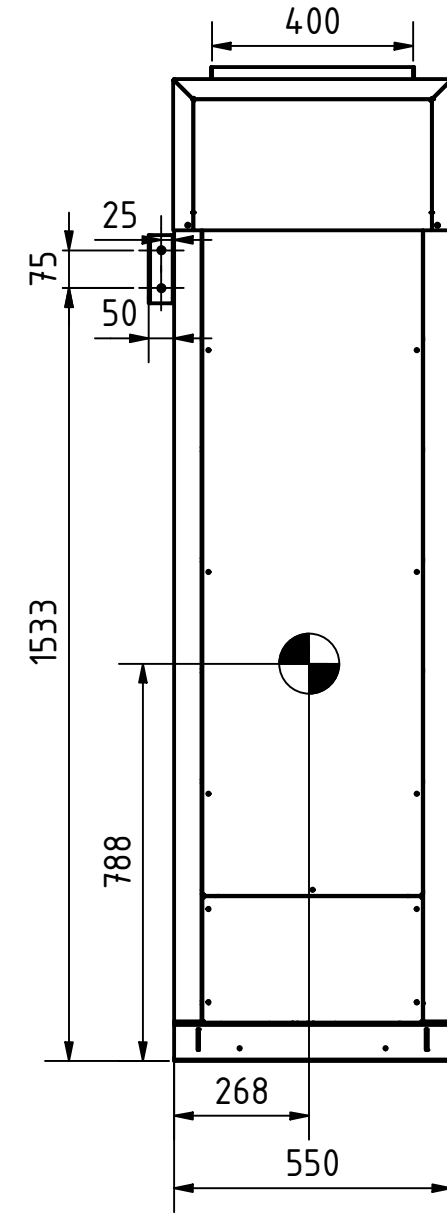
Right (1 : 15)



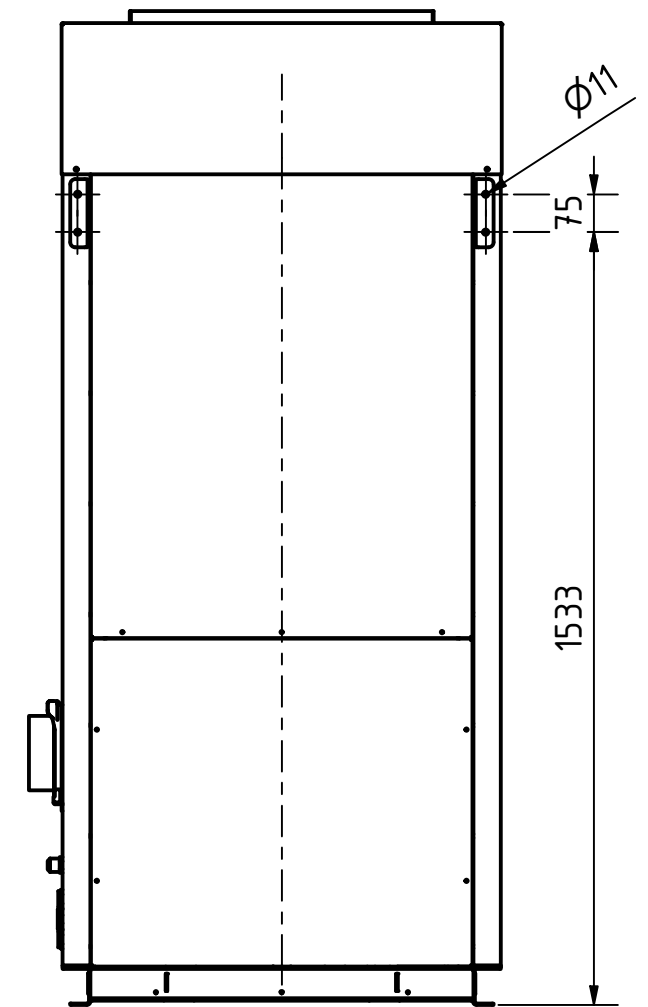
Front (1 : 15)



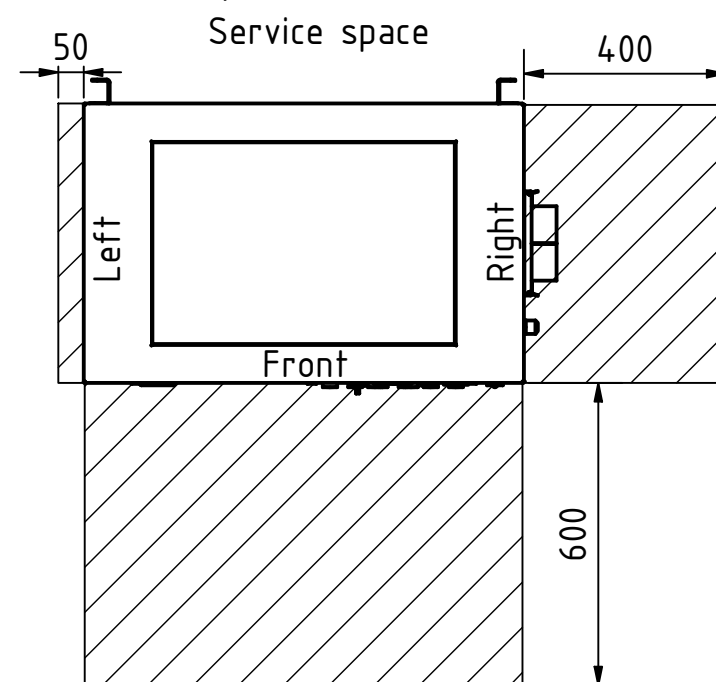
Left (1 : 15)



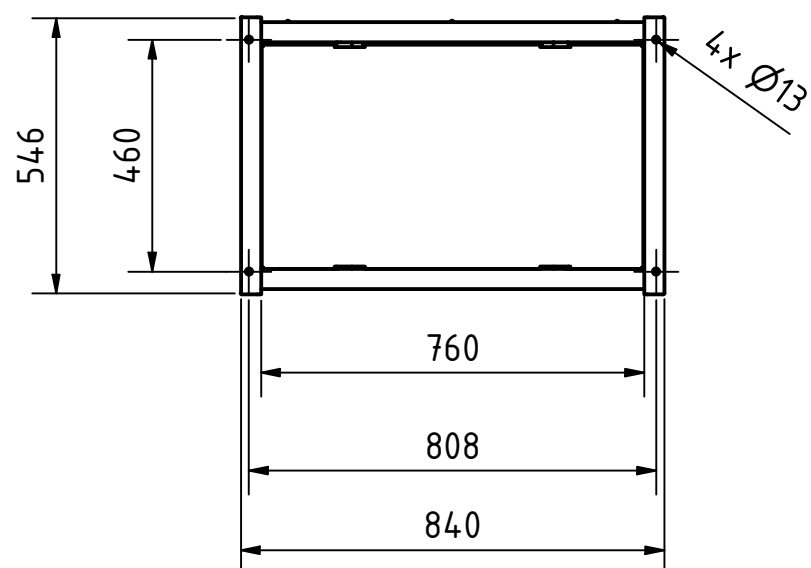
Back (1 : 15)



Top (1 : 15)



Mounting frame (1 : 15)



| | | | |
|---|----|---|----|
| Apolon Climate Engineering LTD Bulgaria, Varna 9010 www.apolon.bg e-mail: office@apolon.bg tel.: 00359 52 902 150 | | Project: .ipj | |
| Name Sign/Stamp | | C:\OBEKTI\INVENTOR\0106_MAC_C60RevA\MAC-C300_E60A.iam | |
| Drawn | pc | MAC-C60D | |
| Checked | | | |
| Approved | | | |
| 25.1.2019 г. | | | |
| | | MAC-C60D | 1 |
| Unless otherwise specified dimension are in millimeters(mm) | | Weight[kg]: 415.000 kg | A3 |