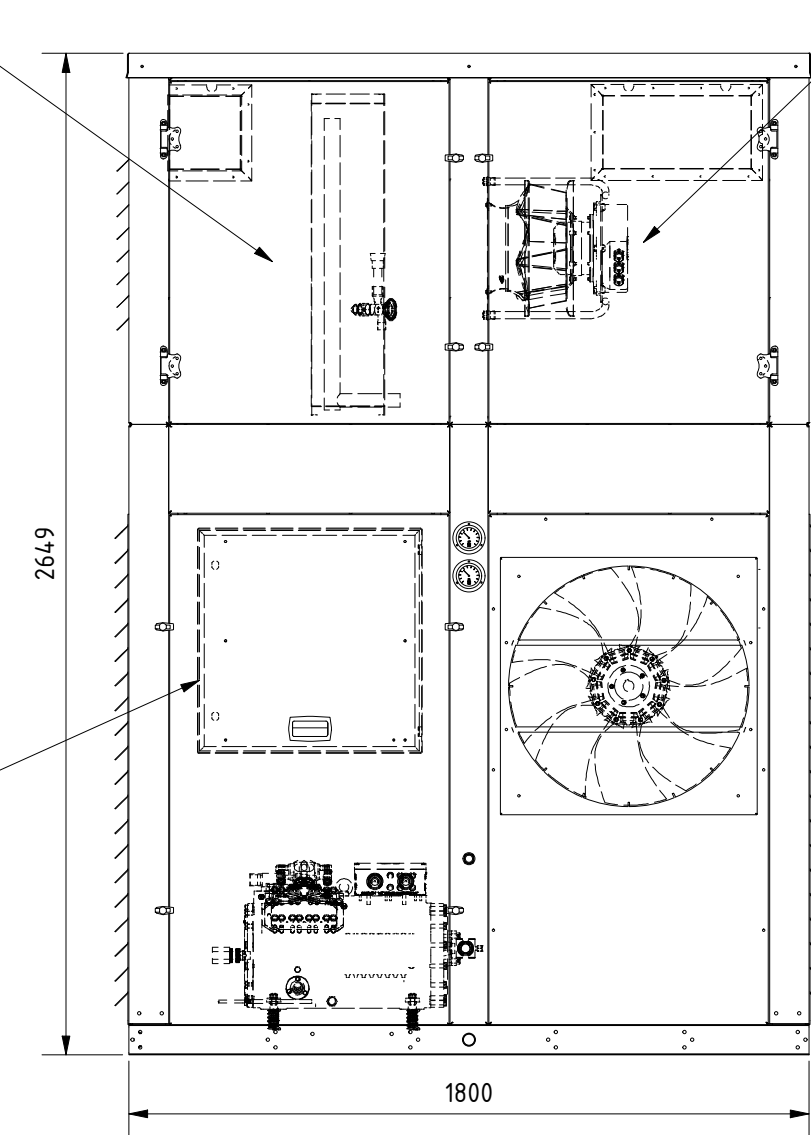


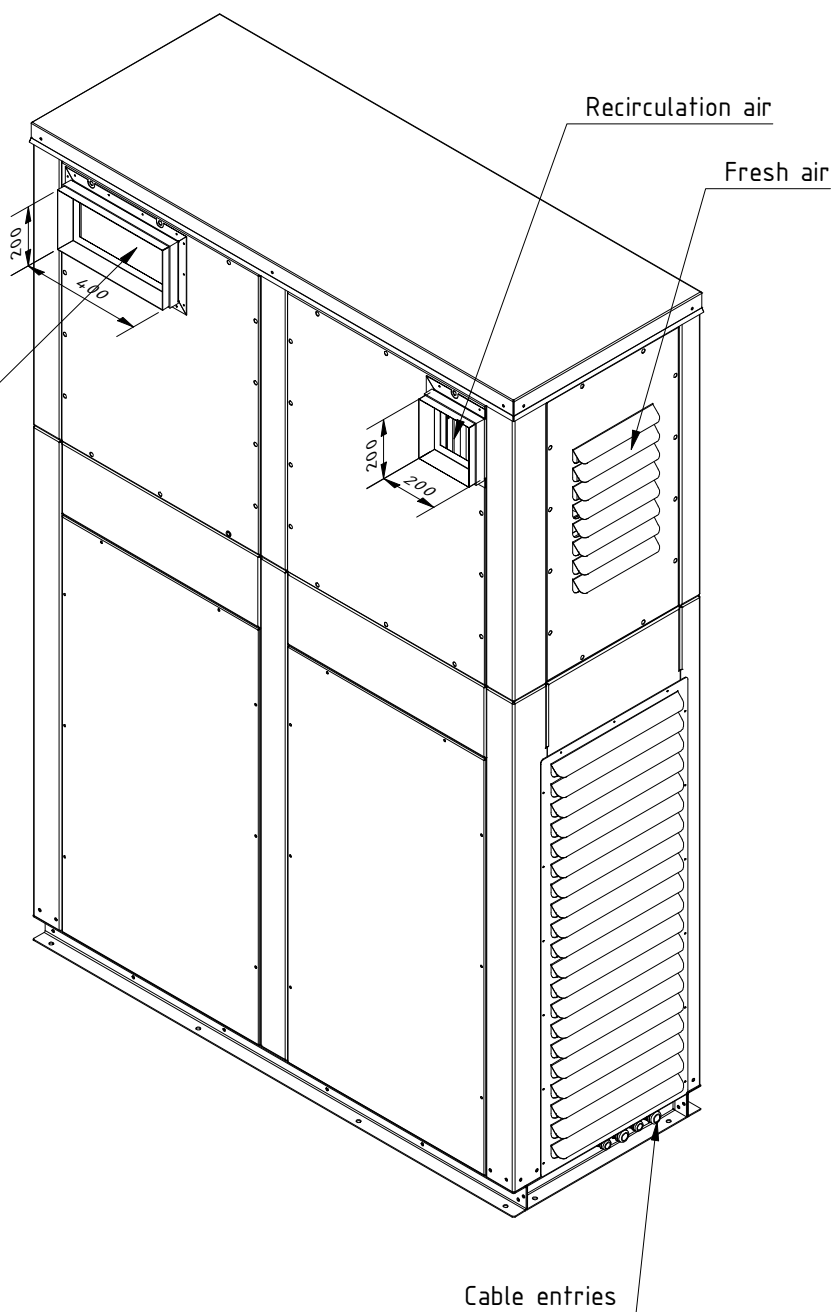
Control panel



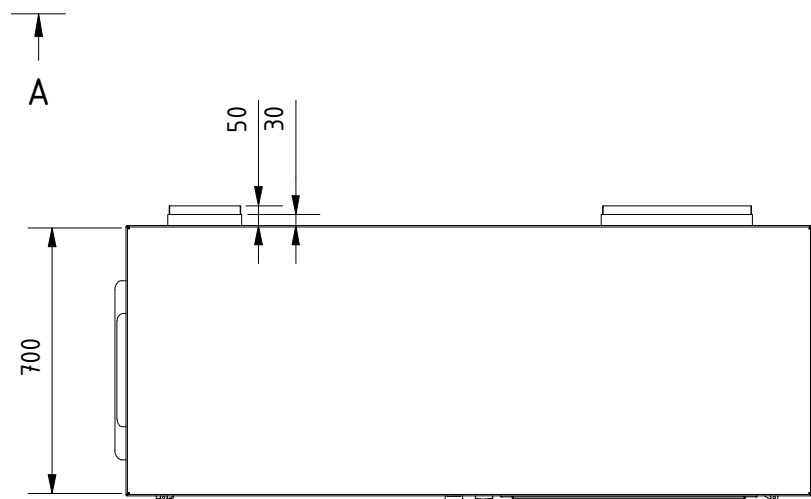
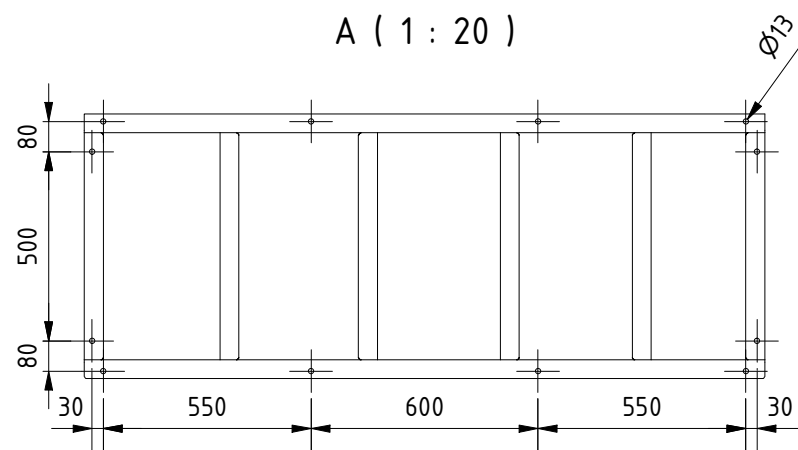
Plug-in fan

Supply air

A



A (1 : 20)



A

Apolon Climate Engineering LTD Bulgaria, Varna 9010 www.apolon.bg e-mail: office@apolon.bg tel.: 00359 52 902 150		Project: .ipj <small>D:\OneDrive - Apolon Climate Engineering LTD\OBJEKTI\INVENTOR\0108_Dolphin_1701\AC2\AC2.iam</small>											
<table border="1"> <thead> <tr> <th>Name</th> <th>Sign/Stamp</th> </tr> </thead> <tbody> <tr> <td>Drawn</td> <td>PC</td> </tr> <tr> <td>Checked</td> <td></td> </tr> <tr> <td>Approved</td> <td></td> </tr> <tr> <td colspan="2">5/1/2020</td> </tr> </tbody> </table>		Name	Sign/Stamp	Drawn	PC	Checked		Approved		5/1/2020		<h1>ACUS-25</h1>	
Name	Sign/Stamp												
Drawn	PC												
Checked													
Approved													
5/1/2020													
		AC2	<h1>1</h1>										
<small>Unless otherwise specified dimension are in millimeters(mm)</small>		Weight[kg]: N/A	<h1>A3</h1>										