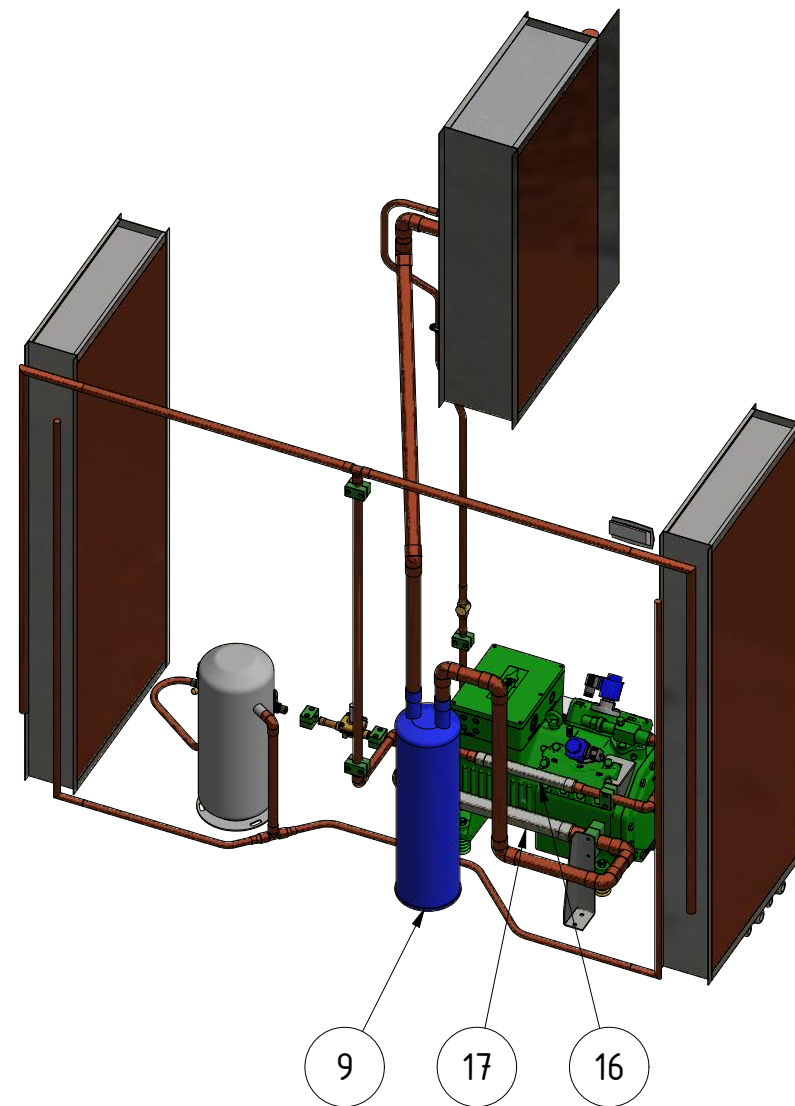
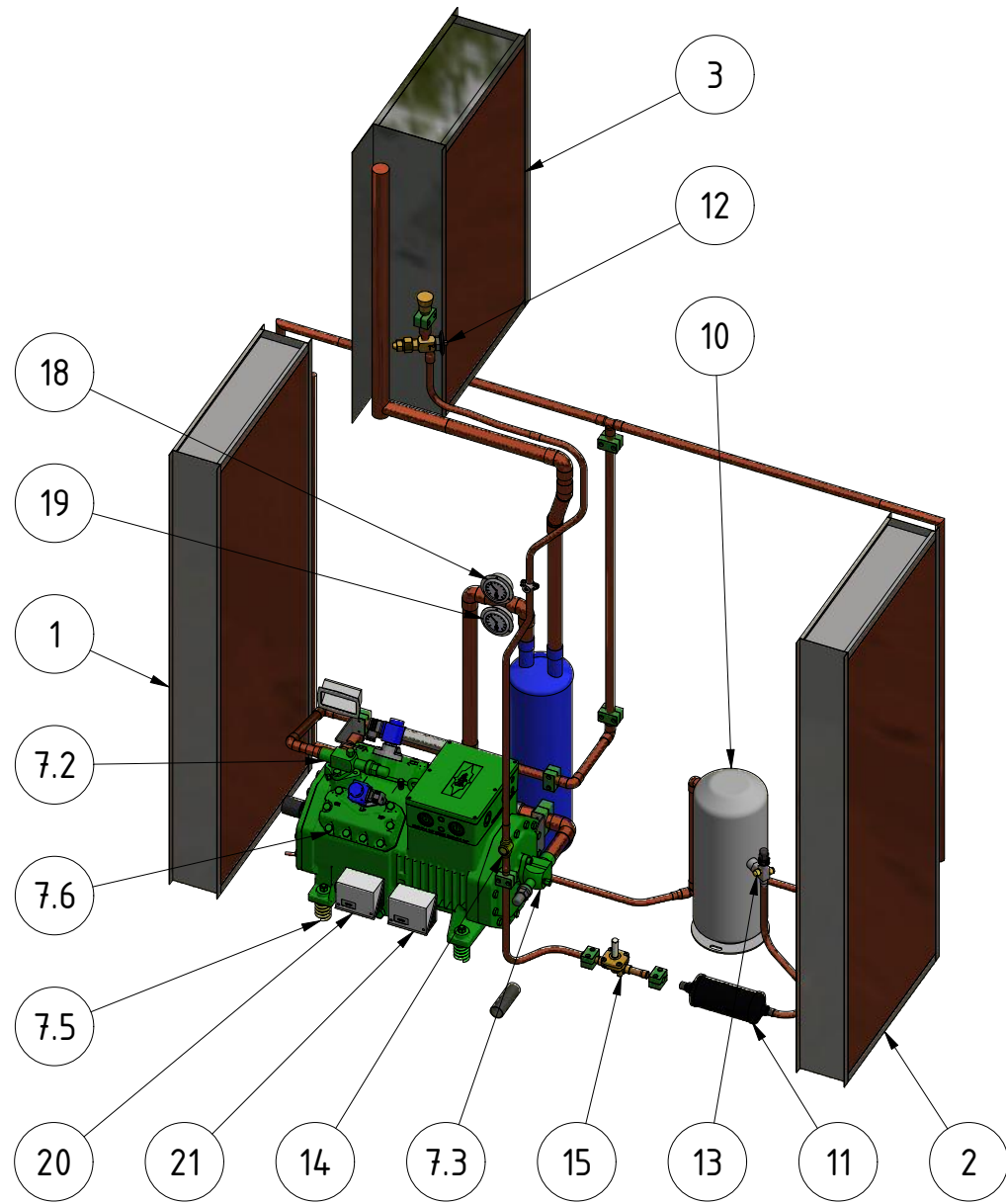


PARTS LIST		
ITEM	QTY	DESCRIPTION
3	1	Evaporator
4	1	Axial fan
4.1	1	IEC Motor
4.2	1	Impeller
5	1	Centrifugal fan
6	1	Filter
8	1	Control panel
29	1	Base frame
30	1	Water Eliminator
31	1	Differential pressure switch

		Apolon Climate Engineering LTD Bul. "Sofia" 9010 www.apolon.bg e-mail: office@apolon.bg tel.: 00359 52 302 150
Drawn	USER	
Checked		
Approved		

49	100.000	Pipe	
50	2		
51	2		
Macca[kg]: N/A			1 A3

AC2 Exploded View



PARTS LIST

ITEM	QTY	DESCRIPTION
1	1	Condenser Left
2	1	Condenser Right
3	1	Evaporator
7	1	Compressor
7.1	1	Piston compressor
7.2	1	Shut off valve D28L
7.3	1	Shut off valve D35L
7.4	1	Heater
7.5	1	Dampers
7.6	2	Cylinder head
9	1	Suction line accumulator
10	1	Liquid receiver accumulator
11	1	Filter drier
12	1	Expansion valve
13	1	Rotalock valve
14	1	Sight glass
15	1	Solenoid valve
16	1	Vibration eliminator V-7/8
17	1	Vibration eliminator V-1-3/8
18	1	High pressure gauge
19	1	Low pressure gauge
20	1	High pressure switch
21	1	Low pressure switch

		Apolon Climate Engineering LTD Bul. "Sofia" 9010 www.apolon.bg e-mail: office@apolon.bg tel.: 00359 52 302 150	
Drawn	USER	Sign/Stamp	100.000
Checked		50	mm
Approved		51	2
		Project: AC2 Exploded view RF	
		Macca[kg]: N/A	
		2 A3	