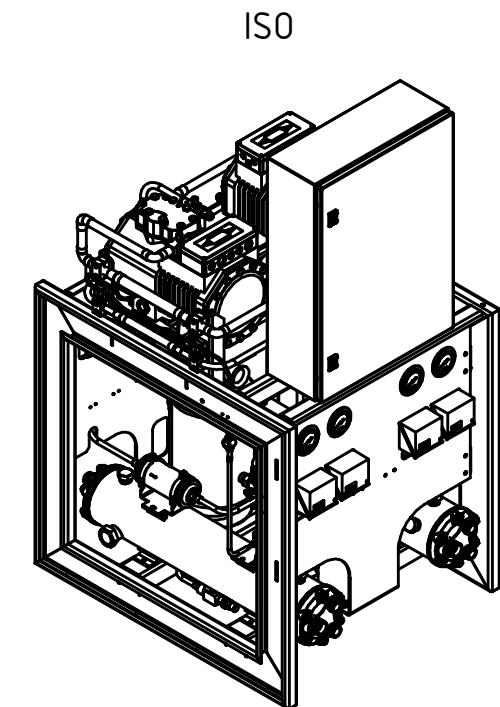
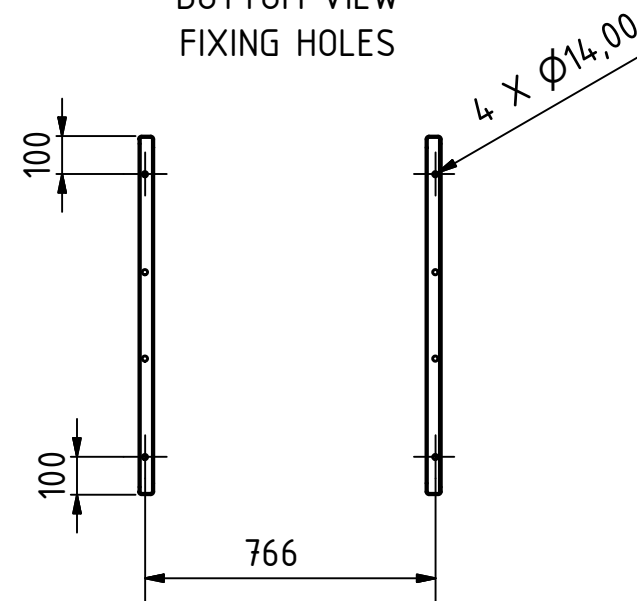


BOTTOM VIEW  
FIXING HOLES



		Apolon Climate Engineering LTD Bulgaria, Varna 9010 www.apolon.bg e-mail: office@apolon.bg tel.: 00359 52 302 150		Project: .ipj	
				<small>C:\OBJEKTI\INVENTOR\032_REFRIGERATION UNIT_4kW\032_Assembly\REFR_UNIT_4kW_RevB.iam</small>	
Material		Name	Sign/Stamp	General dimension RCWC-03/04/05	
Thickness		Drawn	Alexander Apolonov		
Weight[kg]	N/A	Checked			
Inside treatment		Approved			
Outside treatment		26.9.2016 r.			
Area	N/A	Unless otherwise specified: Dimmension are in millimeters(mm) Surface finish:		RCWC	1
Volume	N/A				